



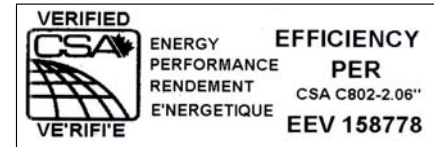
DIVISION OF TRANSFACTOR INDUSTRIES INC.  
 65 Basaltic Rd. Concord, ON, L4K 1G4 Canada  
 Tel: 905-695-8844, 1-800-387-2840 Fax: 905-695-8855  
 www.RexPowerMagnetics.com

## ENERGY EFFICIENT TRANSFORMER

- 3 Phase Isolation
- Dry Type
- ANN Self Cooled

**PRELIMINARY DRAWING ONLY**  
 This drawing may **NOT** truly reflect our Final Design. Any resulting order(s) must be accompanied by, or refer to this drawing and be marked with any proposed changes.

Purchaser: TBA  
 PO#: TBA  
 SWO#: TBA  
 Qty: TBA



Coils: Copper  
 Cat. No.: BC300H-M/Z

kVA: 300  
 Primary: 480 Delta Volts  
 Secondary: 208 Y/120 Volts  
 Primary Taps: 2.5 %  
 -Taps FCAN: 2  
 -Taps FCBN: 2

Frequency: 60 Hz  
 Sound Level: 55 dB Max.  
 BIL: 10 kV  
 Insulation Class: 220° C  
 Temperature Rise: 150° C  
 Impedance: 5.0 - 6.0 %

Min. Efficiency: 98.6 %  
 - Calculated @ 35% Loaded

Weight: 2240 Lbs

Termination	Location	Terminals
Primary:	Front	6-300 MCM 2/Ph
Secondary:	Front	6-300 MCM 4/Ph

### Wiring Connection:

Primary:	H1-H2-H3	Links:
Voltage	% Tap	
504	105.0	1 - 2
492	102.5	2 - 3
480	100.0	3 - 4
468	97.5	4 - 5
456	95.0	5 - 6

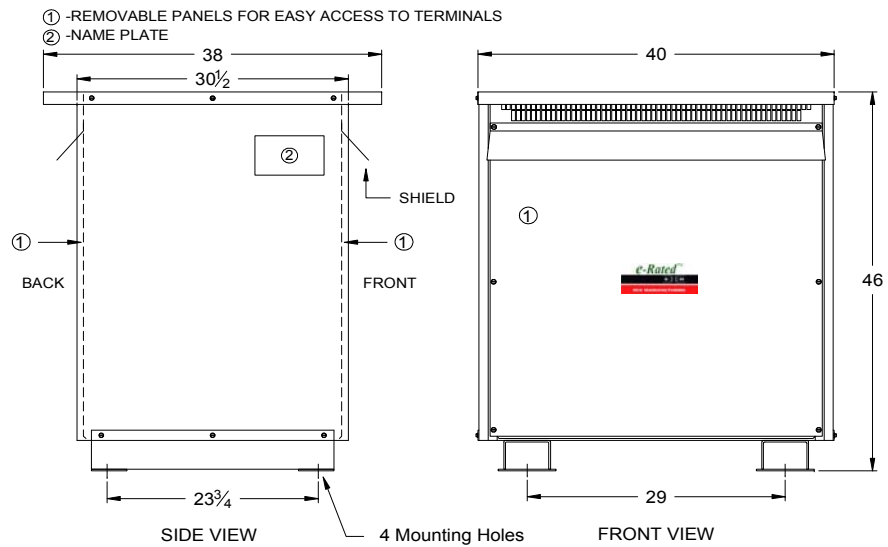
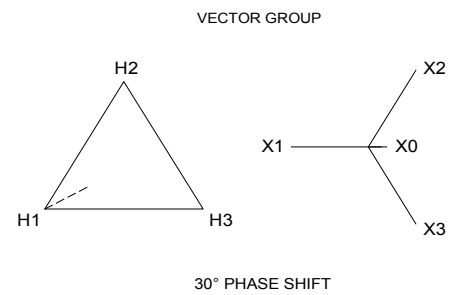
Secondary:	X0-X1-X2-X3	Connect Loads To:
Voltage	Phase	
208	3	X1-X2-X3
120	1	X0-X1, X0-X2, and/or X0-X3

### Standards:

1. CSA Certified  
 - File No. LR34493
2. UL Listed  
 - File No. E108255

### Standard Features:

1. Anti-vibration pads installed between the enclosure base and the core & coil assembly
2. Ground lug provided
3. Transformer meets Efficiency per CSA C802.2
4. Transformer meets NEMA TP-1 Efficiency Level



### CSA Enclosure:

1. Type 3R (NEMA 3R)  
 - Sprinklerproof when the angle between sprinkler heads and opening in the enclosure does Not exceed 45 degree from the vertical.
2. Ventilated
3. ASA 61 grey
4. Floor mounting

1	updated Standard Features	SA	VS	OCT 26 2010
REV#	Remark	BY	Approved By	DATE

Prepared by: SA  
 Approved by: VS  
 Date: OCT 26 2010