



REX POWER MAGNETICS

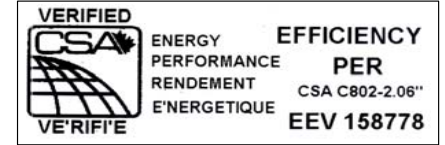
DIVISION OF TRANSFACTOR INDUSTRIES INC.  
65 Basaltic Rd. Concord, ON, L4K 1G4 Canada  
Tel: 905-695-8844, 1-800-387-2840 Fax: 905-695-8855  
www.RexPowerMagnetics.com

### ENERGY EFFICIENT TRANSFORMER

- 3 Phase Isolation
- Dry Type
- ANN Self Cooled

Purchaser: TBA  
 PO#: TBA  
 SWO#: TBA  
 Qty: TBA

**PRELIMINARY DRAWING ONLY**  
 This drawing may NOT truly reflect our Final Design. Any resulting order(s) must be accompanied by, or refer to this drawing and be marked with any proposed changes.



Coils: Copper  
 Cat. No.: BC112J-M/Z

kVA: 112.5  
 Primary: 600 Delta Volts  
 Secondary: 208 Y/120 Volts  
 Primary Taps: 2.5 %  
 -Taps FCAN 2  
 -Taps FCBN 2

Frequency: 60 Hz  
 Sound Level: 50 dB Max.  
 BIL: 10 kV  
 Insulation Class: 220° C  
 Temperature Rise: 150° C  
 Impedance: 4.5 - 5.5 %

Min. Efficiency: 98.2 %  
 - Calculated @ 35% Loaded

Weight: 1100 Lbs

Termination	Location	Lug Size
Primary:	Front	2/0-14 AWG
Secondary:	Front	2-600 MCM

#### Wiring Connection:

Primary:	H1-H2-H3		
Voltage	% Tap		Jumpers To:
630	105.0		1-1-1
615	102.5		2-2-2
600	100.0		3-3-3
585	97.5		4-4-4
570	95.0		5-5-5

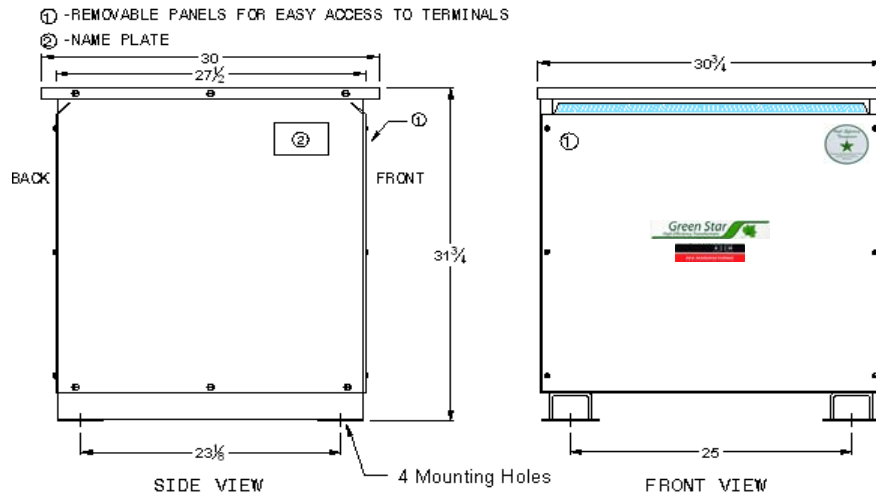
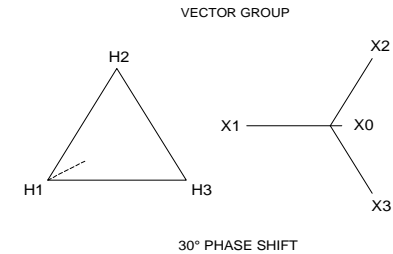
Secondary:	X0-X1-X2-X3		Connect Loads To:
Voltage	Phase		X1-X2-X3
208	3		X0-X1, X0-X2,
120	1		and/or X0-X3

#### Standards:

1. CSA Certified  
- File No. LR34493
2. UL Listed  
- File No. E108255

#### Standard Features:

1. Anti-vibration pads installed between the enclosure base and the core & coil assembly
2. Ground lug provided
3. Transformer meets Efficiency per CSA C802.2
4. Transformer meets NEMA TP-1 Efficiency Level



#### CSA Enclosure:

1. Type 3R (NEMA 3R)  
- Sprinklerproof when the angle between sprinkler heads and opening in the enclosure does Not exceed 45 degree from the vertical.
2. Ventilated
3. ASA 61 grey
4. Floor mounting

2	Updated Logo	AP	VS	May 13, 2011
1	Updated Standard Features	SA	VS	Oct. 26, 2010
REV#	Remarks	BY	Approved By	DATE

Prepared by: SA  
 Approved by: VS  
 Date: OCT 26 2010