



REX POWER MAGNETICS

DIVISION OF TRANSFACTOR INDUSTRIES INC.
65 Basaltic Rd. Concord, ON, L4K 1G4 Canada
Tel: 905-695-8844, 1-800-387-2840 Fax: 905-695-8855
www.RexPowerMagnetics.com

TRANSFORMER SPECIFICATION

- 3 Phase Isolation
- Dry Type
- ANN Self Cooled

PRELIMINARY DRAWING ONLY
This drawing may **NOT** truly reflect our Final Design. Any resulting order(s) must be accompanied by, or refer to this drawing and be marked with any proposed changes.

Purchaser: TBA
 PO#: TBA
 SWO#: TBA
 Qty: TBA

Coils: Copper
 Cat. No.: BC3J-M

kVA: 3
 Primary: 600 Delta Volts
 Secondary: 208 Y/120 Volts

Primary Taps: 5 %
 -Taps FCAN 1
 -Taps FCBN 1

Frequency: 60 Hz

BIL: 10 kV

Insulation Class: 185° C
 Temperature Rise: 115° C
 Impedance: 5.0 - 8.0 %

Weight: 95 Lbs

Termination	Location	Terminals
Primary:	Front	Terminal Blocks
Secondary:	Front	Terminal Blocks

Wiring Connection:

Primary:	H1-H2-H3	Jumpers To:
Voltage	% Tap	
630	105.0	1-1-1
600	100.0	2-2-2
570	95.0	3-3-3

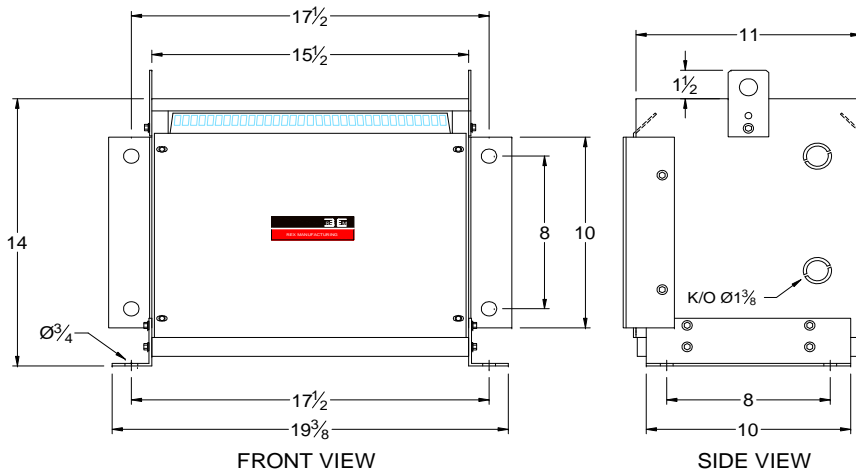
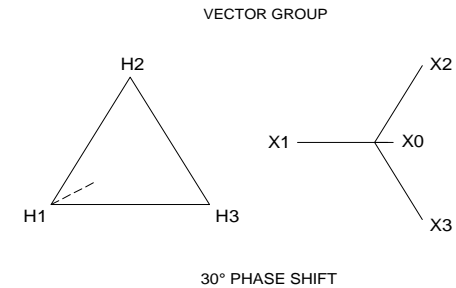
Secondary:	X0-X1-X2-X3	Connect Loads To:
Voltage	Phase	
208	3	X1-X2-X3
120	1	X0-X1, X0-X2, and/or X0-X3

Standards:

1. CSA Certified
- File No. LR34493
2. UL Listed
- File No. E108255

Standard Features:

1. Anti-vibration pads installed between the enclosure base and the core & coil assembly
2. Ground lug provided



CSA Enclosure:

- Type 1 (NEMA 1)
- Ventilated
- ASA 61 grey
- Floor/Wall mounting

1	updated Standard Features	SA	VS	OCT 26 2010
REV#	Remark	BY	Approved By	DATE

Prepared by: SA
 Approved by: VS
 Date: OCT 26 2010