

- NOTE:
1. TRANSFORMER IS FREESTANDING IN ENCLOSURE
 2. METAL GAUGE TO CSA-C22 No. 94-M91
 3. PAINT ASA # 61 GRAY
 4. BOLTED, KNOCK DOWN CONSTRUCTION
 5. OPEN BOTTOM
 6. COVERED OPENING FOR ACCESS TO LIFTING POINTS

TRANSFORMER:

KVA: 3500

PRIMARY VOLTAGE CLASS: 34.5 KV
 34500 VOLTS DELTA*
 OR
 27600 VOLTS DELTA*

PRIMARY TAPS:

2x2.5% FCAN, 2x2.5% FCBN
 600V/347 VOLTS
 OR
 480V/277 VOLTS
 OR
 OTHER _____

OTHER _____

PRIMARY B.I.L.: 150 KV
 10 KV
 220°C
 150°C
 STANDARD
 SOUND LEVEL:

WINDING MATERIAL:

COPPER
 OR
 ALUMINUM

TERMINAL MATERIAL:

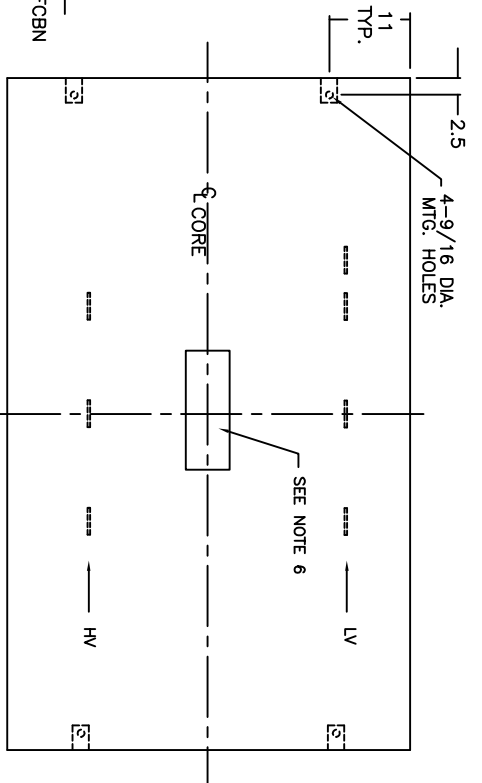
COPPER
 OR
 ALUMINUM

STANDARD FEATURES:

ANTI-VIBRATION PADS

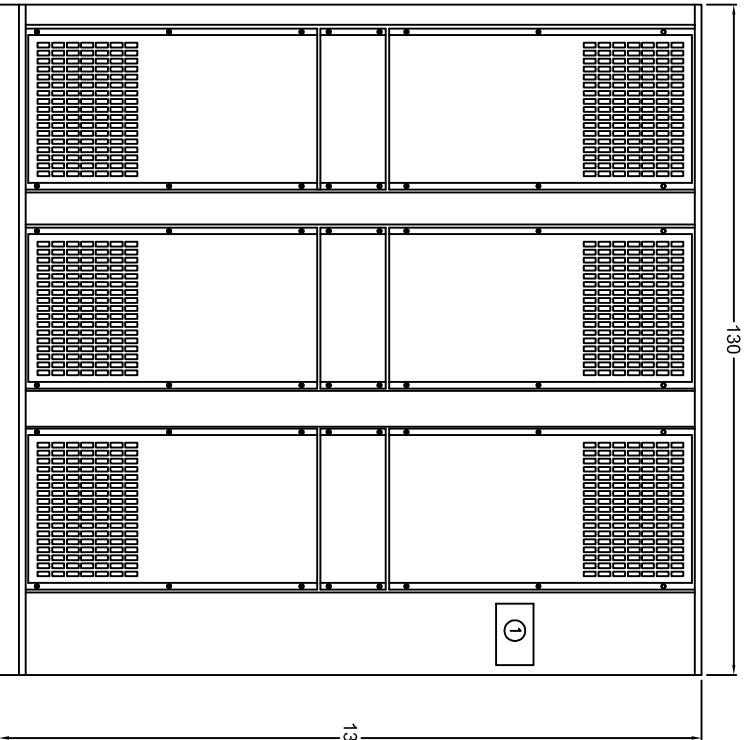
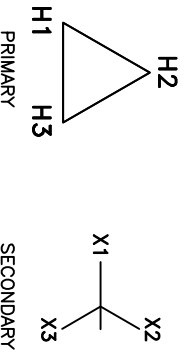
CSA TYPE 1 (NEMA 1)
 INDOOR USE

APPROX. WEIGHT:
 CORE & COIL: 24000 LBS
 ENCLOSURE: 2500 LBS
 TOTAL: 26500 LBS

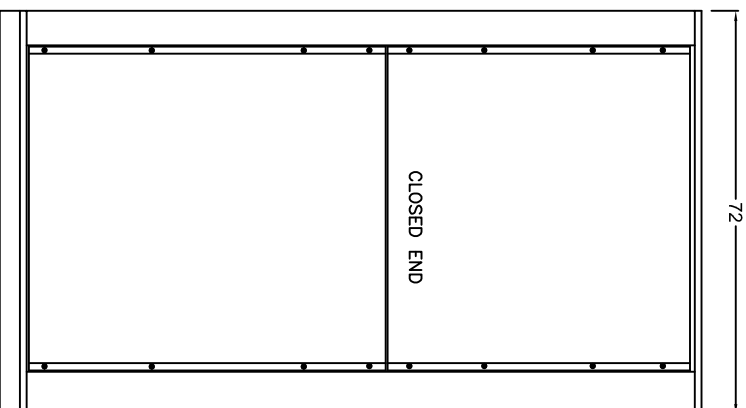


① NAME PLATE

VECTOR DIAGRAM



FRONT VIEW



END VIEW

Note: Dimensions may change if units are co-ordinated with switchgear.

Dimensions are estimates. For firm dimensions contact factory.

*For Y-Y connection consult factory for dimensions

REV.	REMARKS	BY	DATE

REX POWER MAGNETICS
 DIVISION OF TRANSFORMER INDUSTRIES INC.
 SCALE: N.T.S. DRAWN BY: SARKIS DATE: JUNE 8, 10
 TITLE: 3500KVA 34.5KV CLASS ENCLOSURE OUTLINE
 NEMA-1
 DRAWING No. 3500KVA-BILL50-1