

- NOTE:
1. TRANSFORMER IS FREESTANDING IN ENCLOSURE
 2. METAL GAUGE TO CSA-C22 No. 94-M91
 3. PAINT ASA # 61 GRAY
 4. BOLTED, KNOCK DOWN CONSTRUCTION
 5. OPEN BOTTOM
 6. COVERED OPENING FOR ACCESS TO LIFTING POINTS

CSA TYPE 3R (NEMA 3R)
INDOOR / OUTDOOR

APPROX. WEIGHT:
CORE & COIL: 11000 LBS
ENCLOSURE: 1600 LBS
TOTAL: 12600 LBS

TRANSFORMER:

KVA: 2500

PRIMARY VOLTAGE CLASS: 25 KV

PRIMARY VOLTAGE: 27600 VOLTS DELTA

24940 VOLTS DELTA
OR

OTHER _____

2x2.5% FCAN, 2x2.5% FCBN

PRIMARY TAPS: 600Y/347 VOLTS

480Y/277 VOLTS
OR

OTHER _____

SECONDARY VOLTAGE: 125 KV

SECONDARY BIL: 10 KV

INSULATION CLASS: 220°C

TEMPERATURE RISE: 150°C

IMPEDANCE: STANDARD

SOUND LEVEL: STANDARD

WINDING MATERIAL: COPPER

OR ALUMINUM

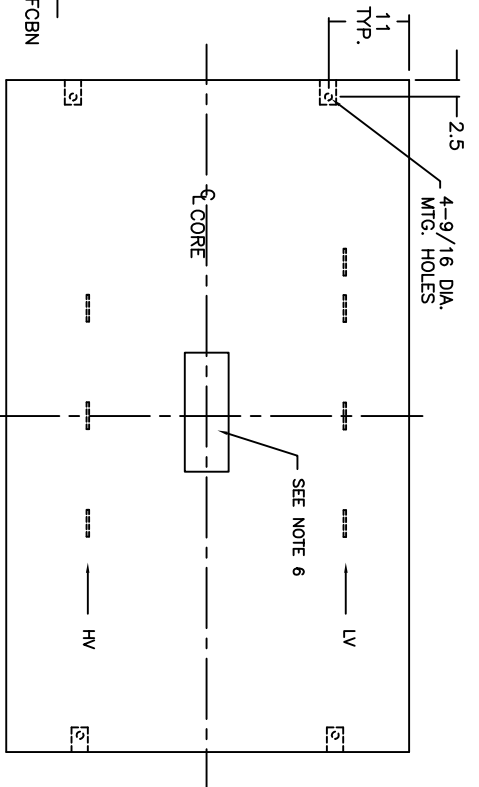
COPPER

OR ALUMINUM

TERMINAL MATERIAL: COPPER

OR ALUMINUM

STANDARD FEATURES: ANTI-VIBRATION PADS

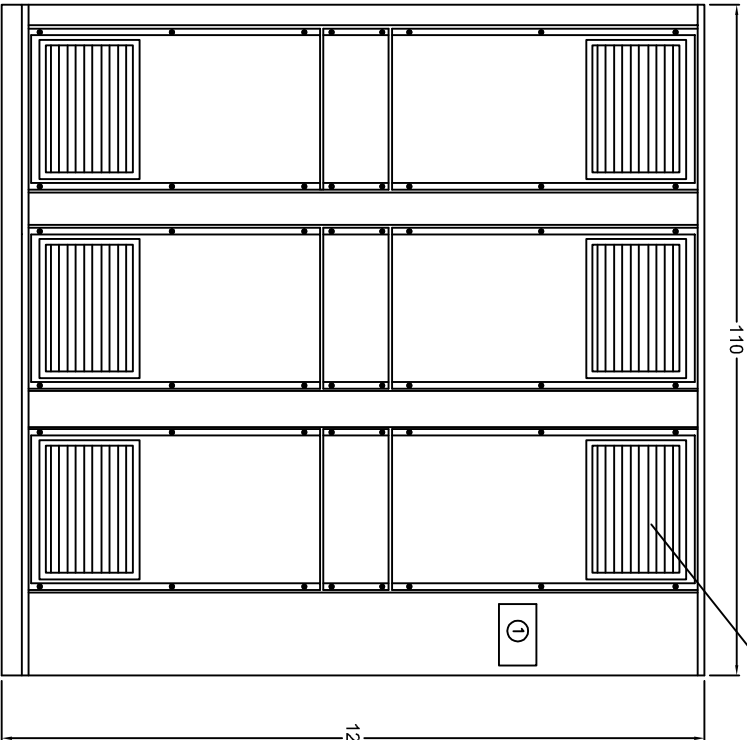
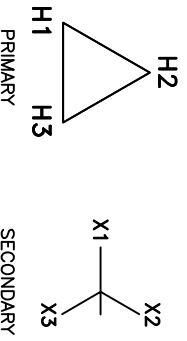


PLAN VIEW
(COVER REMOVED)

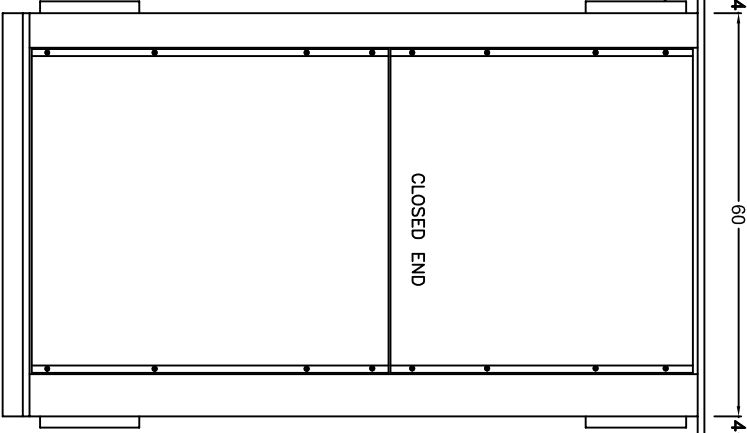
VENTILATION LOUVRES

① NAME PLATE

VECTOR DIAGRAM



FRONT VIEW



END VIEW

Note: Dimensions may change if units are co-ordinated with switchgear.
Dimensions are estimates. For firm dimensions contact factory.

REV.	REMARKS	BY	DATE

REX POWER MAGNETICS
DIVISION OF TRANSFORMER INDUSTRIES INC.

SCALE: N.T.S. DRAWN BY: SARKIS DATE: JUNE 8, 1970 REV: 0

TITLE: 2500KVA 25KV CLASS ENCLOSURE OUTLINE NEMA-3R

DRAWING NO. 2500KVA-BIL125-3R