

- NOTE:
1. TRANSFORMER IS FREESTANDING IN ENCLOSURE
 2. METAL GAUGE TO CSA-C22 No. 94-M91
 3. PAINT ASA # 61 GRAY
 4. BOLTED, KNOCK DOWN CONSTRUCTION
 5. OPEN BOTTOM
 6. COVERED OPENING FOR ACCESS TO LIFTING POINTS

TRANSFORMER:

KVA: 4500

PRIMARY VOLTAGE CLASS: 34.5 KV
 34500 VOLTS DELTA*
 OR
 27600 VOLTS DELTA*
 OR
 OTHER _____

PRIMARY TAPS:
 2x2.5% FCAN, 2x2.5% FCBN
 600V/347 VOLTS
 OR
 480V/277 VOLTS
 OTHER _____

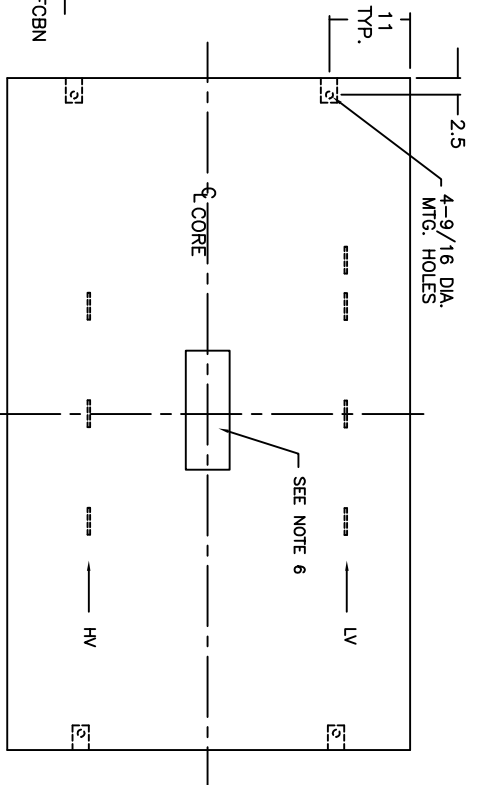
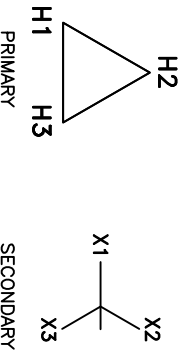
PRIMARY B.I.L.: 150 KV
 SECONDARY B.I.L.: 10 KV
 INSULATION CLASS: 220°C
 TEMPERATURE RISE: 150°C
 IMPEDANCE: STANDARD
 SOUND LEVEL: STANDARD

WINDING MATERIAL:
 COPPER
 OR
 ALUMINUM

TERMINAL MATERIAL:
 COPPER
 OR
 ALUMINUM

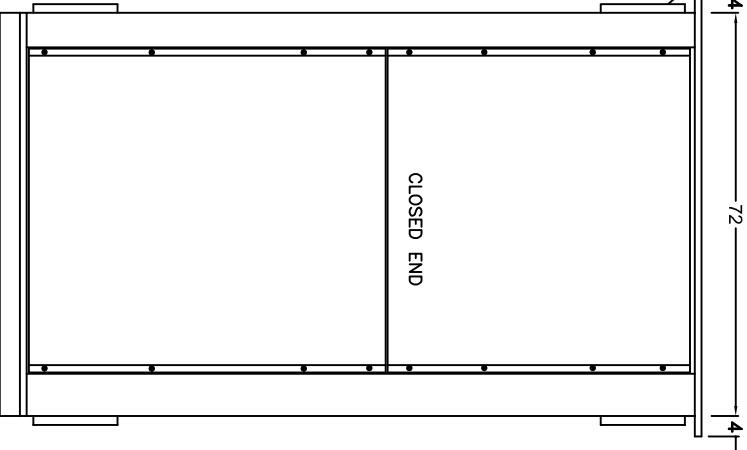
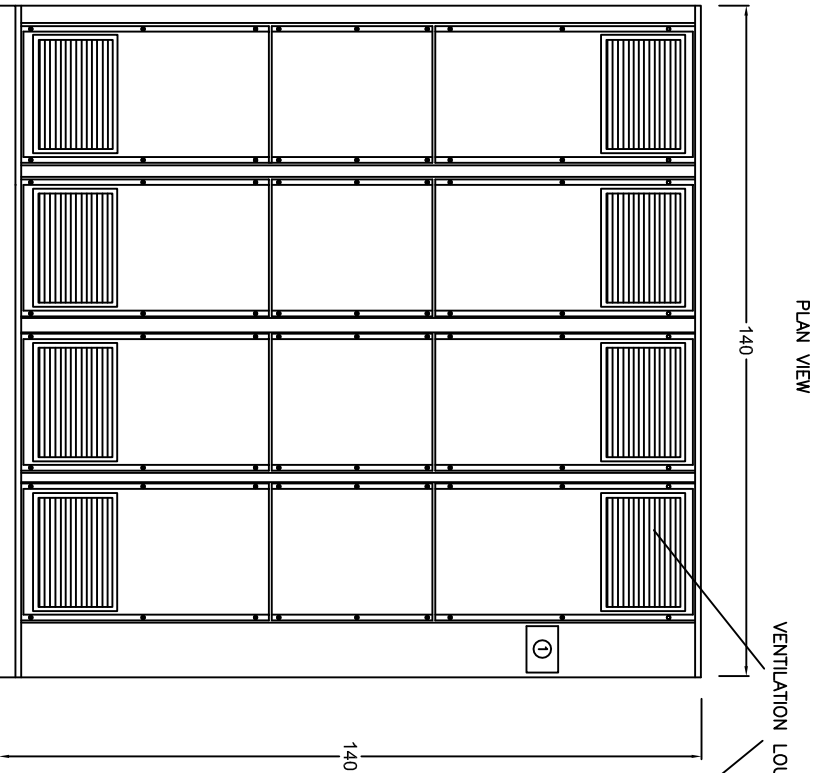
STANDARD FEATURES:
 ANTI-VIBRATION PADS

VECTOR DIAGRAM



CSA TYPE 3R (NEMA 3R)
 INDOOR/OUTDOOR USE

APPROX. WEIGHT:
 CORE & COIL: 27800 LBS
 ENCLOSURE: 2800 LBS
 TOTAL: 30600 LBS



Note: Dimensions may change if units are co-ordinated with switchgear.
 Dimensions are estimates. For firm dimensions contact factory.
 *For Y-Y connection consult factory for dimensions

REV.	REMARKS	BY	DATE

REX POWER MAGNETICS
 DIVISION OF TRANSFORMER INDUSTRIES INC.

SCALE: N.T.S. DRAWN BY: SARKIS DATE: JUNE 8, 1981 REV: 0
 CHECKED BY: DAMI DATE: JUNE 8, 1981
 TITLE: 4500KVA 34.5KV CLASS ENCLOSURE OUTLINE
 NEMA-3R

DRAWING No. 4500KVA-BIL150-3R