



REX POWER MAGNETICS

DIV. OF TRANSFACTOR INDUSTRIES INC.  
 65 BASALTIC ROAD, CONCORD, ONTARIO  
 CANADA L4K 1G4 FAX: (905) 695-8855  
 TEL: (905) 695-8844 1-800-387-2840  
 WWW.REXPOWERMAGNETICS.COM

### EPOXY ENCAPSULATED TRANSFORMER

- 1 Phase Isolation
- Dry Type
- ANC Self Cooled

Purchaser: TBA  
 PO#: TBA  
 SWO#: TBA  
 Qty: TBA

### PRELIMINARY DRAWING ONLY

THIS DRAWING MAY NOT TRULY REFLECT  
 OUR FINAL DESIGN. ANY RESULTING ORDER(S)  
 MUST BE ACCOMPANIED BY, OR REFER TO THIS  
 DRAWING AND BE MARKED WITH ANY PROPOSED  
 CHANGES.

Coils: Copper  
 Cat. No.: SC0.750H-K/EP  
 kVA: 0.750  
 Primary: 480 Volts  
 Secondary: 120/240 Volts  
 Frequency: 60 Hz  
 BIL: 10 kV  
 Insulation Class: 185° C  
 Temperature Rise: 115° C  
 Impedance: 5.0 - 8.0 %  
 Weight: 23 Lbs

Termination	Location	Terminals
Primary:	Bottom	Leads
Secondary:	Bottom	Leads

#### Wiring Connection:

**Primary:**  
 Voltage 480  
 Connect Lines To: H1 - H2

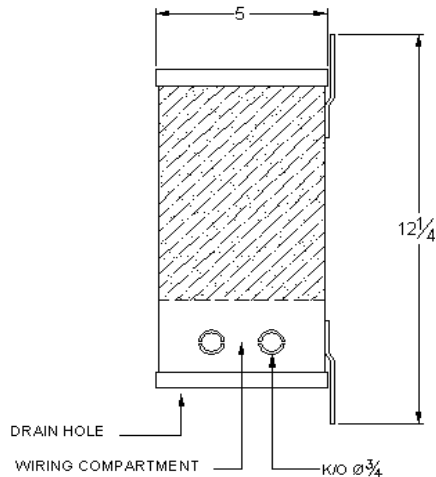
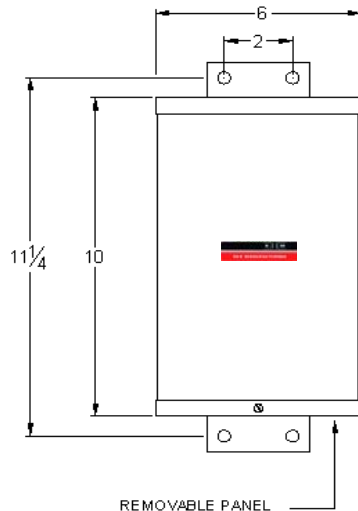
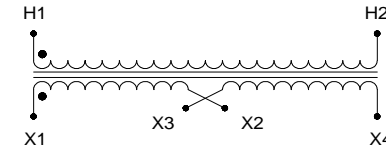
**Secondary:**  
 Voltage 240  
 Interconnect: X2 to X3  
 Connect Loads To: X1 - X4

120  
 X1 to X3 and X2 to X4  
 X1 - X4

120/240  
 X2 to X3  
 X1 - X2 - X4  
 ( X2 is a neutral )

#### Standards:

1. CSA Certified  
 - File No. LR34493
2. UL Listed  
 - File No. E108255



#### CSA Enclosure:

- Type 3R (NEMA 3R)
- Indoor/Outdoor Ventilated
- ASA 61 Grey
- Wall Mounting

Rev.	Remarks	By	Appr. By	Date

Prepared by: AP  
 Approved by: VS  
 Date: Feb. 6, 2012