



REX POWER MAGNETICS

DIV. OF TRANSFACTOR INDUSTRIES INC.  
 65 BASALTIC ROAD, CONCORD, ONTARIO  
 CANADA L4K 1G4 FAX: (905) 695-8855  
 TEL: (905) 695-8844 1-800-387-2840  
 WWW.REXPOWERMAGNETICS.COM

### EPOXY ENCAPSULATED TRANSFORMER

- 1 Phase Isolation
- Dry Type
- ANC Self Cooled

Purchaser: TBA  
 PO#: TBA  
 SWO#: TBA  
 Qty: TBA

**PRELIMINARY DRAWING ONLY**  
 THIS DRAWING MAY NOT TRULY REFLECT  
 OUR FINAL DESIGN. ANY RESULTING ORDER(S)  
 MUST BE ACCOMPANIED BY, OR REFER TO THIS  
 DRAWING AND BE MARKED WITH ANY PROPOSED  
 CHANGES.

Coils: Copper  
 Cat. No.: SC37H-K/EP  
 kVA: 37.5  
 Primary: 480 Volts  
 Secondary: 120/240 Volts  
 Primary Taps: 2.5 %  
 -Taps FCAN 2  
 -Taps FCBN 2  
 Frequency: 60 Hz  
 BIL: 10 kV  
 Insulation Class: 200° C  
 Temperature Rise: 130° C  
 Impedance: 2.0 - 3.0 %  
 Weight: 650 Lbs

Termination	Location	Lug Size
Primary:	Front	2 AWG
Secondary:	Front	300 MCM

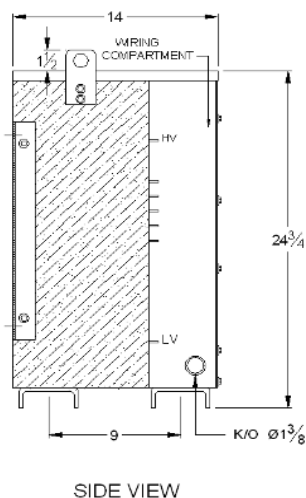
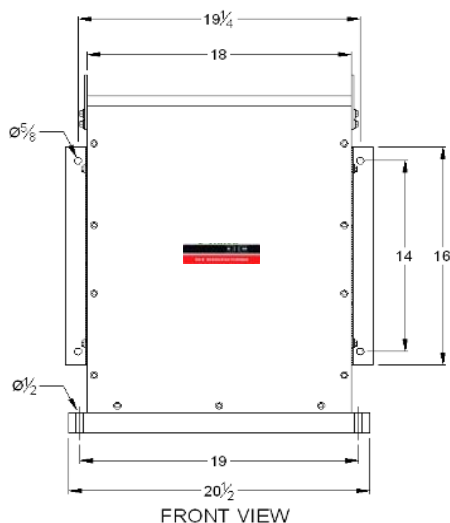
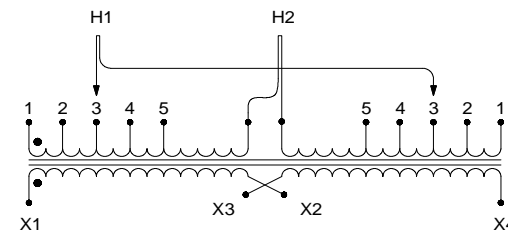
**Wiring Connection:**

Primary:	Primary:	Jumpers To:
Voltage	% Tap	
504	105.0	1 - 1
492	102.5	2 - 2
480	100.0	3 - 3
468	97.5	4 - 4
456	95.0	5 - 5

Secondary:	Interconnect:	Connect Loads To:
Voltage		
240	X2 to X3	X1 - X4
120	X1 to X3 and X2 to X4	X1 - X4
120/240	X2 to X3	X1 - X2 - X4 ( X2 is a neutral )

**Standards:**

1. CSA Certified  
 - File No. LR34493
2. UL Listed  
 - File No. E108255



**CSA Enclosure:**

- Type 3R (NEMA 3R)
- Indoor/Outdoor Ventilated
- ASA 61 Grey
- Floor/Wall Mounting

Rev.	Remarks	By	Appr. By	Date

Prepared by: AP  
 Approved by: VS  
 Date: Feb.6, 2012