



REX POWER MAGNETICS

DIV. OF TRANSFACTOR INDUSTRIES INC.
 65 BASALTIC ROAD, CONCORD, ONTARIO
 CANADA L4K 1G4 FAX: (905) 695-8855
 TEL: (905) 695-8844 1-800-387-2840
 WWW.REXPOWERMAGNETICS.COM

EPOXY ENCAPSULATED TRANSFORMER

- 1 Phase Isolation
- Dry Type
- ANC Self Cooled

Purchaser: TBA
 PO#: TBA
 SWO#: TBA
 Qty: TBA

PRELIMINARY DRAWING ONLY

THIS DRAWING MAY NOT TRULY REFLECT OUR FINAL DESIGN. ANY RESULTING ORDER(S) MUST BE ACCOMPANIED BY, OR REFER TO THIS DRAWING AND BE MARKED WITH ANY PROPOSED CHANGES.

Coils: Copper
 Cat. No.: SC0.750J-K/EP
 kVA: 0.750
 Primary: 600 Volts
 Secondary: 120/240 Volts
 Frequency: 60 Hz
 BIL: 10 kV
 Insulation Class: 185° C
 Temperature Rise: 115° C
 Impedance: 5.0 - 8.0 %
 Weight: 23 Lbs

Termination	Location	Terminals
Primary:	Bottom	Leads
Secondary:	Bottom	Leads

Wiring Connection:

Primary:
 Voltage 600
 Connect Lines To: H1 - H2

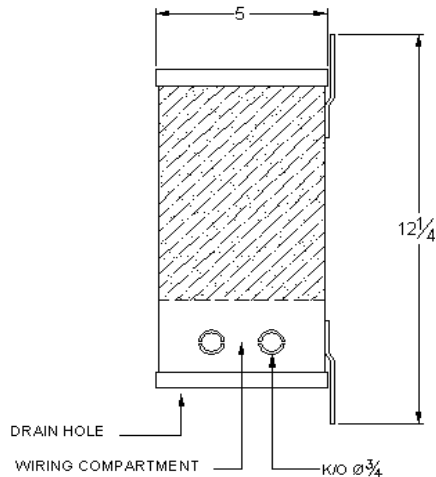
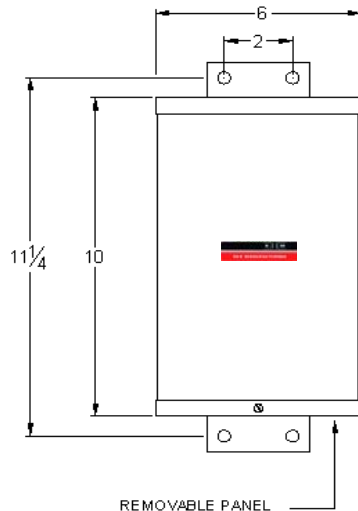
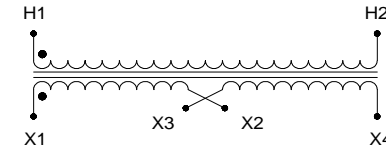
Secondary:
 Voltage 240
 Interconnect: X2 to X3
 Connect Loads To: X1 - X4

120
 X1 to X3 and X2 to X4
 X1 - X4

120/240
 X2 to X3
 X1 - X2 - X4
 (X2 is a neutral)

Standards:

1. CSA Certified
 - File No. LR34493
2. UL Listed
 - File No. E108255



CSA Enclosure:

- Type 3R (NEMA 3R)
- Indoor/Outdoor Ventilated
- ASA 61 Grey
- Wall Mounting

Rev.	Remarks	By	Appr. By	Date

Prepared by: AP
 Approved by: VS
 Date: Feb.6, 2012