



REX POWER MAGNETICS

DIV. OF TRANSFACTOR INDUSTRIES INC.
 65 BASALTIC ROAD, CONCORD, ONTARIO
 CANADA L4K 1G4 FAX: (905) 695-8855
 TEL: (905) 695-8844 1-800-387-2840
 WWW.REXPOWERMAGNETICS.COM

EPOXY ENCAPSULATED TRANSFORMER

- 1 Phase Isolation
- Dry Type
- ANC Self Cooled

Purchaser: TBA
 PO#: TBA
 SWO#: TBA
 Qty: TBA

PRELIMINARY DRAWING ONLY
 THIS DRAWING MAY NOT TRULY REFLECT
 OUR FINAL DESIGN. ANY RESULTING ORDER(S)
 MUST BE ACCOMPANIED BY, OR REFER TO THIS
 DRAWING AND BE MARKED WITH ANY PROPOSED
 CHANGES.

Coils: Copper
 Cat. No.: SC37J-K/EP
 kVA: 37.5
 Primary: 600 Volts
 Secondary: 120/240 Volts
 Primary Taps: 2.5 %
 -Taps FCAN 2
 -Taps FCBN 2
 Frequency: 60 Hz
 BIL: 10 kV
 Insulation Class: 200° C
 Temperature Rise: 130° C
 Impedance: 2.0 - 3.0 %
 Weight: 650 Lbs

Termination	Location	Lug Size
Primary:	Front	2 AWG
Secondary:	Front	300 MCM

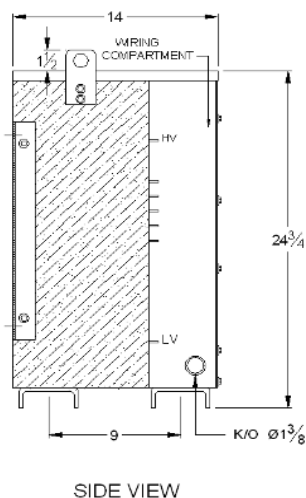
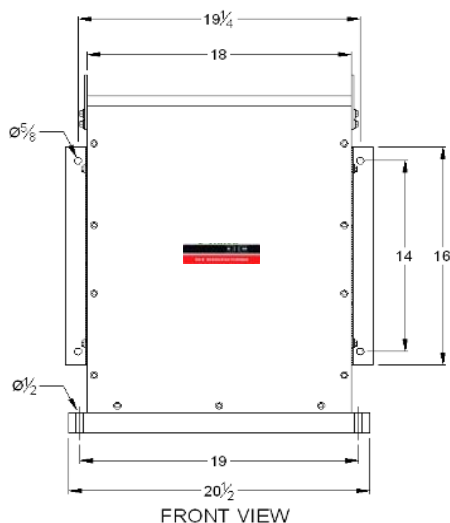
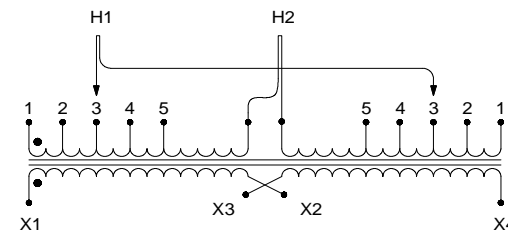
Wiring Connection:

Primary:	Primary:	Jumpers To:
Voltage	% Tap	
630	105.0	1 - 1
615	102.5	2 - 2
600	100.0	3 - 3
585	97.5	4 - 4
570	95.0	5 - 5

Secondary:	Interconnect:	Connect Loads To:
Voltage		
240	X2 to X3	X1 - X4
120	X1 to X3 and X2 to X4	X1 - X4
120/240	X2 to X3	X1 - X2 - X4 (X2 is a neutral)

Standards:

1. CSA Certified
 - File No. LR34493
2. UL Listed
 - File No. E108255



CSA Enclosure:

- Type 3R (NEMA 3R)
- Indoor/Outdoor Ventilated
- ASA 61 Grey
- Floor/Wall Mounting

Rev.	Remarks	By	Appr. By	Date

Prepared by: AP
 Approved by: VS
 Date: Feb.6, 2012