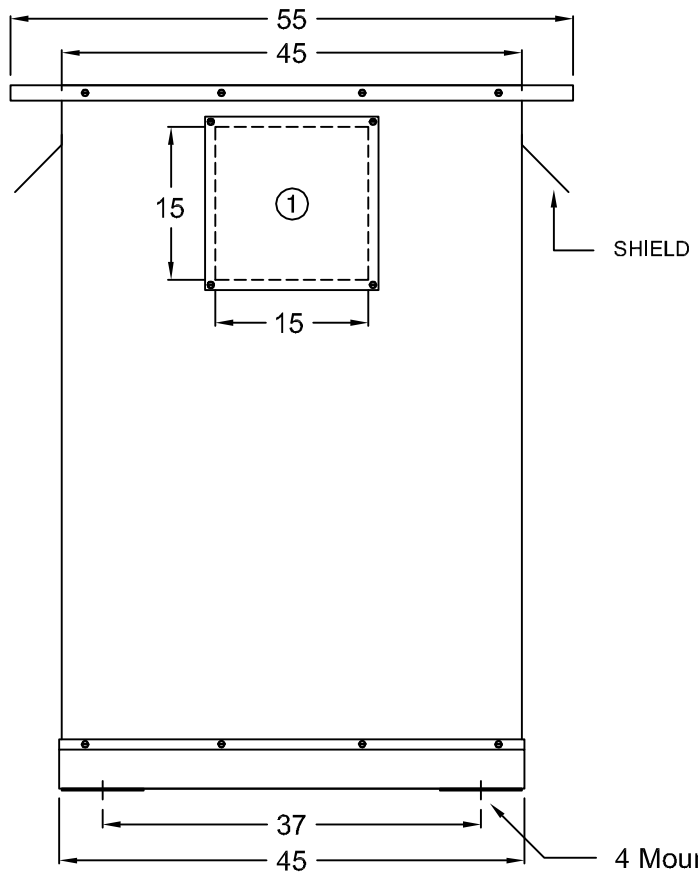
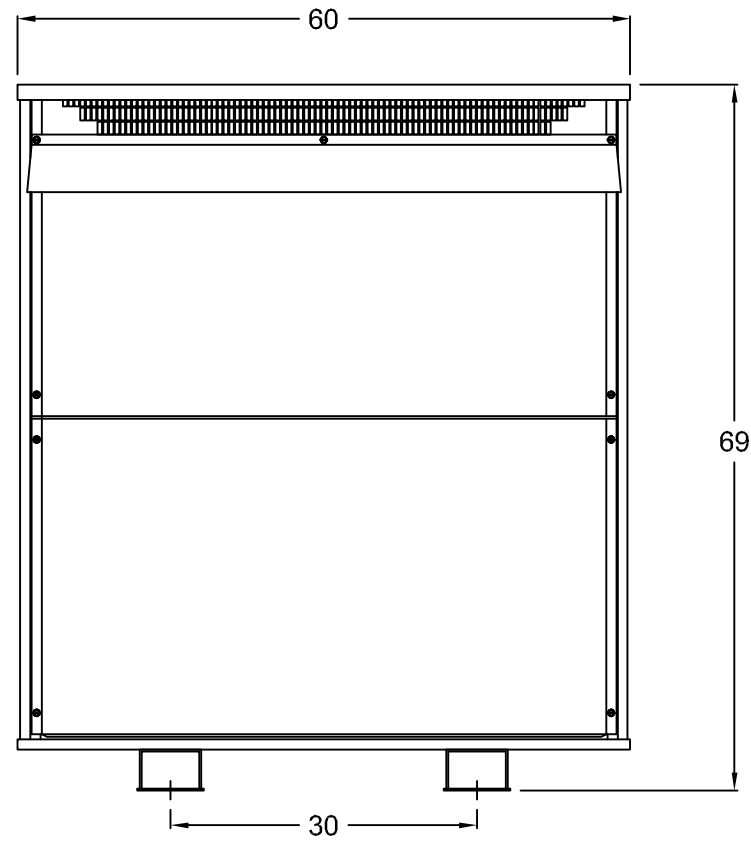


① CUTOUT WITH REMOVABLE PANELS AT EACH END FOR CABLE ENTRY



SIDE VIEW



FRONT VIEW

CSA ENCLOSURE:

- TYPE 2 (NEMA 2)
- DRIPPROOF
- INDOOR VENTILATED
- PAINTED: ASA 61 GREY
- FLOOR MOUNTING

REV.	REMARKS	BY:	DATE:
R3EM		REX MANUFACTURING	
<small>DIVISION OF TRANSFACTOR INDUSTRIES INC.</small>			
DRAWN BY: AP	DATE: OCT.14, 2009		
CHECKED BY: V.S.	DATE: OCT.14, 2009		
TITLE: ENCLOSURE OUTLINE # 11			
SCALE: N.T.S.	NEMA 2	DRAWING No:	