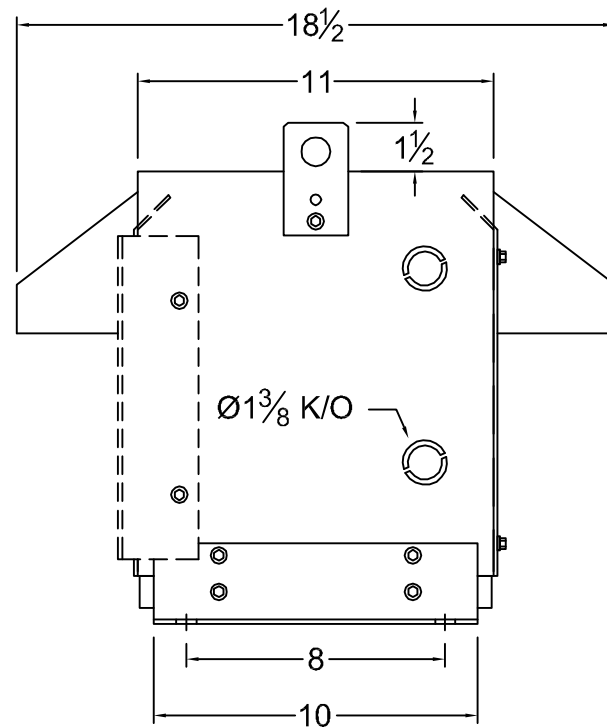


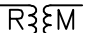
FRONT VIEW



SIDE VIEW

**CSA ENCLOSURE:**

- TYPE 3R (NEMA 3R)
- INDOOR/OUTDOOR VENTILATED
- ASA 61 GREY
- FLOOR/WALL MOUNTING

REV.	REMARKS	BY:	DATE:
 <b>REX MANUFACTURING</b> DIVISION OF TRANSFACTOR INDUSTRIES INC.			
DRAWN BY: AP		DATE: JUNE 24, 2008	
CHECKED BY: V.S.		DATE: JUNE 24, 2008	
TITLE: ENCLOSURE OUTLINE SIZE # 3			
SCALE: N.T.S.	TYPE: NEMA 3R	DRAWING No:	