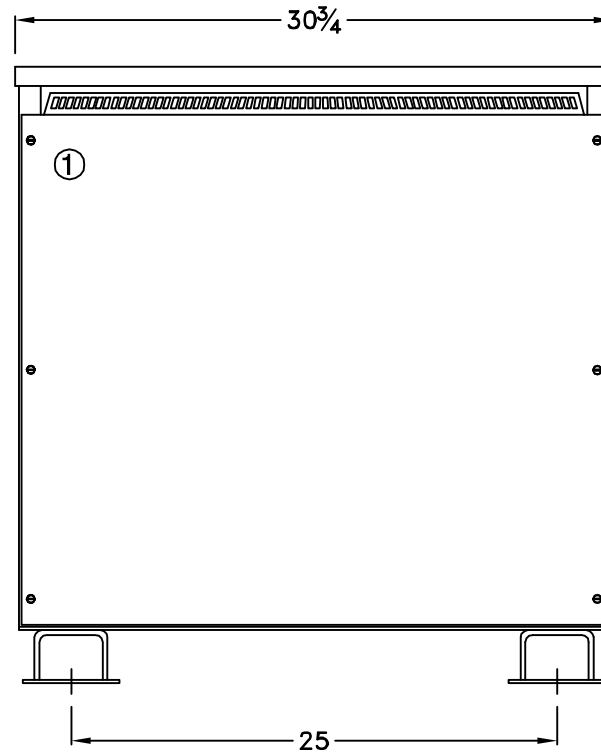
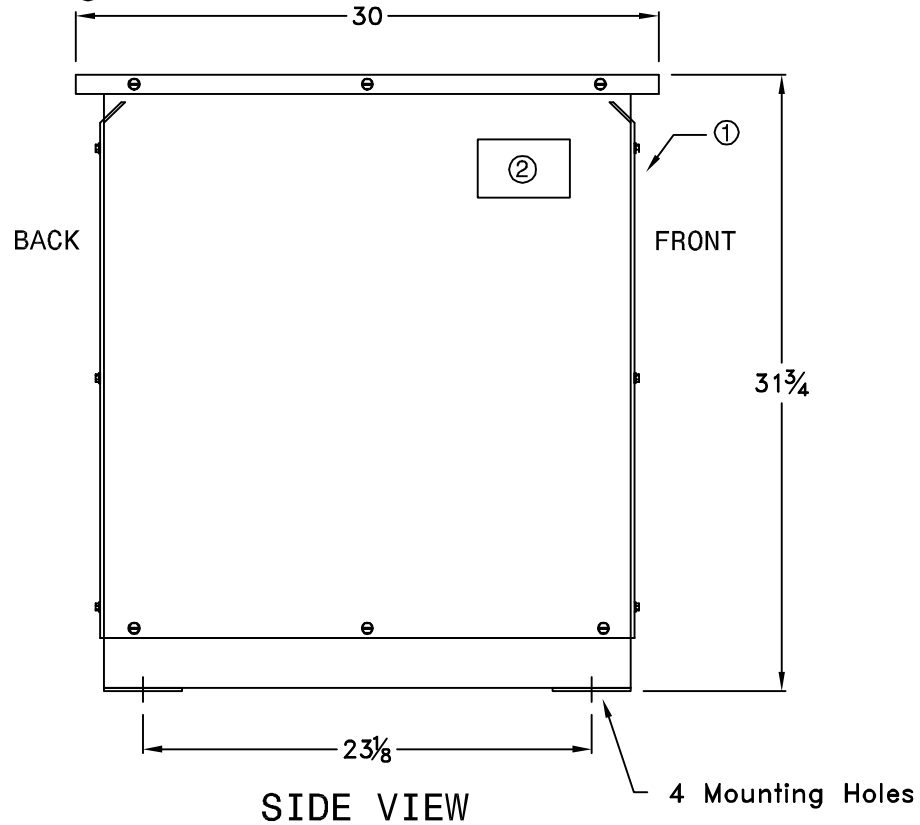


① - REMOVABLE PANELS FOR EASY ACCESS TO TERMINALS

② - NAME PLATE



FRONT VIEW

CSA ENCLOSURE :

- TYPE 2 (NEMA 2)
- INDOOR VENTILATED
- PAINTED: ASA 61 GREY
- FLOOR MOUNTING

REV.	REMARKS	BY:	DATE:
REM		REX MANUFACTURING	
<small>DIVISION OF TRANSFACTOR INDUSTRIES INC.</small>			
DRAWN BY:	AP	DATE:	JULY 3, 2008
CHECKED BY:	V.S.	DATE:	JULY 3, 2008
TITLE:		ENCLOSURE OUTLINE # 8	
SCALE:	N.T.S.	TYPE:	NEMA 2
DRAWING No:			