



REX POWER MAGNETICS

DIVISION OF TRANSFACTOR INDUSTRIES INC.  
65 Basaltic Rd. Concord, ON, L4K 1G4 Canada  
Tel: 905-695-8844, 1-800-387-2840 Fax: 905-695-8855  
www.RexPowerMagnetics.com

## CONTROL TRANSFORMER

- DRY TYPE
- ANN Self Cooled

Purchaser: TBA  
 PO#: TBA  
 SWO#: TBA  
 Qty: TBA

PRELIMINARY DRAWING ONLY

This drawing may NOT truly reflect our Final Design. Any resulting order(s) must be accompanied by, or refer to this drawing and be marked with any proposed changes.

REX's Cat. No.: CE5000J-K  
 Customer's P/N: N/A  
 VA Rating: 5000  
 Primary: 600 Volts  
 Secondary: 120/240 Volts  
 Frequency: 60 Hz  
 Insulation Class: 180° C  
 Temperature Rise: 115° C  
 Weight: 105 Lbs

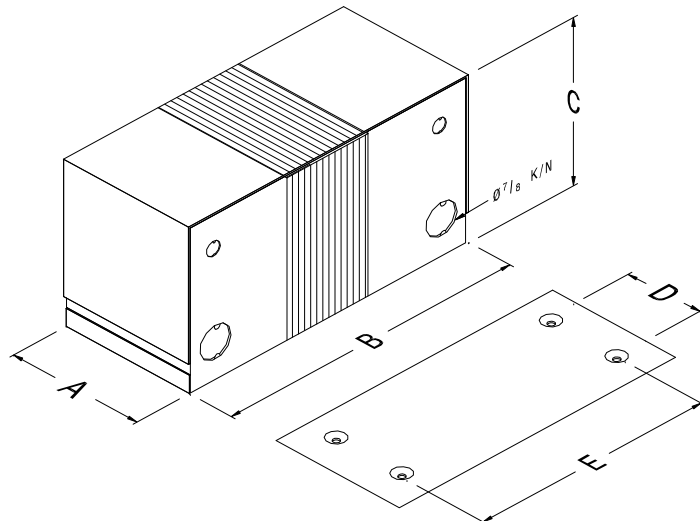
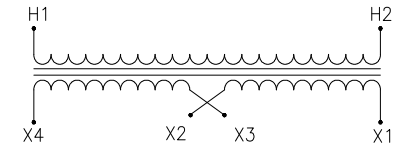
Termination	Location	Terminals
Primary:	Front	Leads
Secondary:	Back	Leads

### Wiring Connection:

Primary:	Secondary:	Interconnect:	Connect Lines To:	Connect Loads To:
Voltage 600			H1-H2	
240		X2 To X3		X1-X4
120		X1 To X3 X2 To X4		X1-X4
120/240		X2 To X3		X1-X2-X4 ( X2 is a Neutral )

### Standards:

1. CSA Certified  
- File No. LR34493
2. UL Listed  
- File No. E110286



### Dimensions (Inches):

A	=	8.00
B	=	13.0
C	=	9.50
D	=	6.00
E	=	10.125

### Design:

- Enclosed type ( Endbell )
- Indoor Ventilation
- Black Semigloss Finish
- Floor/Wall Mounting

Prepared by: AP

Approved by: VS

Date: MAR.10, 2008