

**MARKINGS:**  
 -INPUT: A1-B1-C1  
 -OUTPUT: A2-B2-C2

**3 PHASE TRANSIENT FILTER**  
**TYPE: ANN-SELF COOLED**

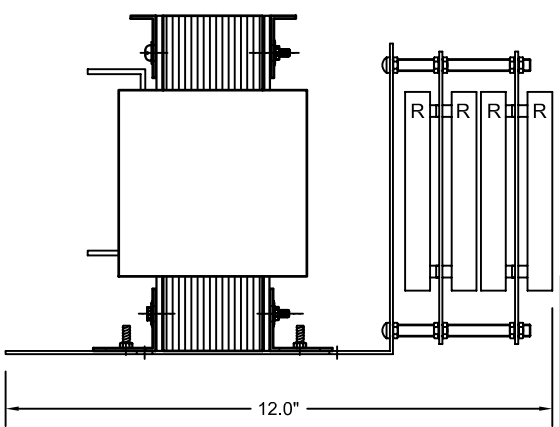
CATALOGUE NO.: 100C5LF  
 VOLTAGE CLASS: 600 VOLTS  
 CURRENT: 100 AMPS

INSULATION CLASS: 220° C  
 TEMPERATURE RISE: 115° C.  
 APP. WEIGHT 47 Lbs.

HI POT: 2.5kV AC @ 1 MINUTE

**TERMINATION:**  
 -INPUT PADS NO LUGS  
 -OUTPUT PADS NO LUGS

**STANDARDS:**  
 -CSA CERTIFIED  
 -UL RECOGNIZED



NOTE: DIMENTIONS IN INCHES

REV.	REMARKS	BY:	DATE:
 <b>REX MANUFACTURING</b> DIVISION OF TRANSFACTOR INDUSTRIES INC.			
DRAWN BY: V.O.	DATE: NOV. 10, 2004	REV: 0	
CHECKED BY: V.S.	DATE: NOV. 10, 2004	SCALE: N.T.S	
<b>TITLE:</b> <b>FILTER REACTOR OUTLINE</b> <b>3 PHASE, 100 A, 600 V</b>			
PO#: N/A	SWO#: N/A	1-1	