

MARKINGS:
 -INPUT: A1-B1-C1
 -OUTPUT: A2-B2-C2

3 PHASE TRANSIENT FILTER

TYPE: ANN-SELF COOLED

CATALOGUE NO.: 160C5LF
 VOLTAGE CLASS: 600 VOLTS
 CURRENT: 160 AMPS
 INDUCTANCE: 0.142 mH
 INDUCTANCE TOLERANCE: ±10%

INSULATION CLASS: 220° C
 TEMPERATURE RISE: 115° C.
 APP. WEIGHT 49 Lbs.

HI POT: 2.5kV AC @ 1 MINUTE

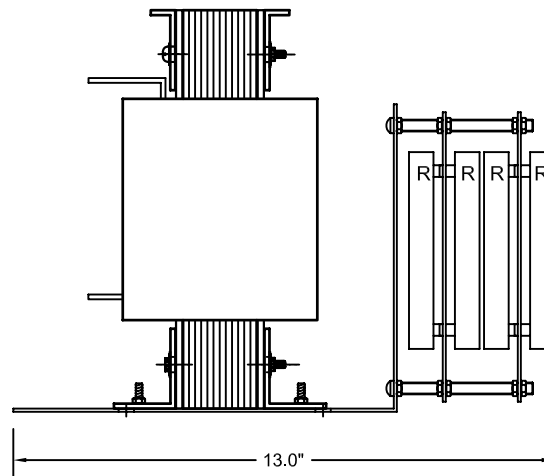
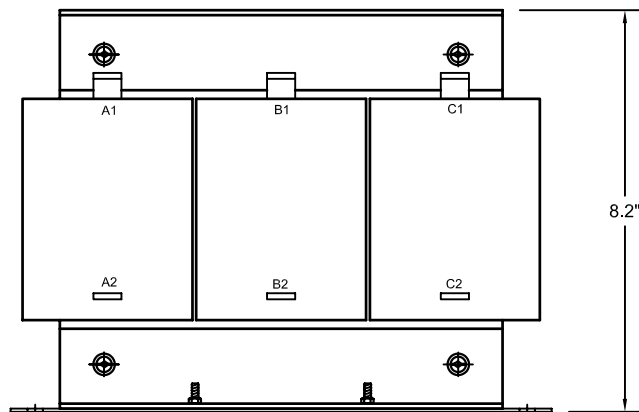
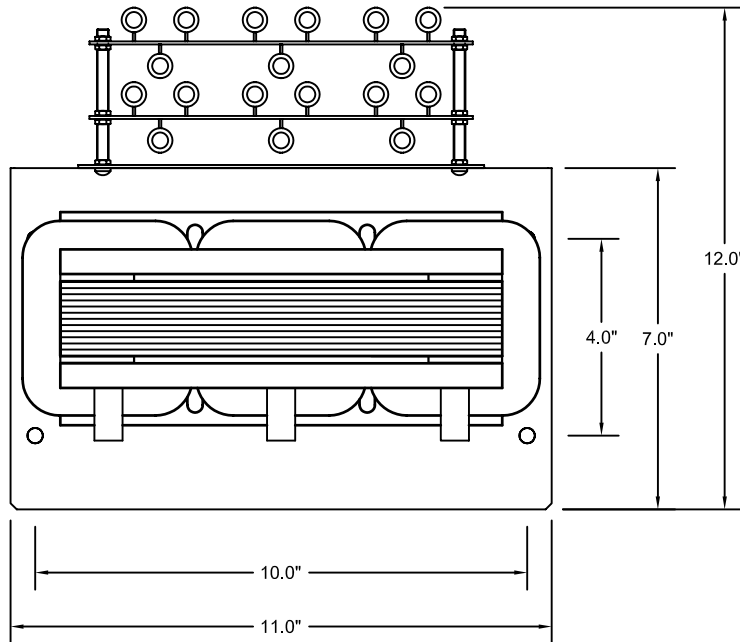
TERMINATION:

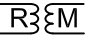
-INPUT PADS NO LUGS
 -OUTPUT PADS NO LUGS

STANDARDS:

-CSA CERTIFIED
 -UL LISED

NOTE: DIMENTIONS IN INCHES



REV.	REMARKS	BY:	DATE:
 REX MANUFACTURING DIVISION OF TRANSFACTOR INDUSTRIES INC.			
DRAWN BY: V.O.	DATE: NOV. 10, 2004	REV: 0	
CHECKED BY: V.S.	DATE: NOV. 10, 2004	SCALE: N.T.S	
TITLE: FILTER REACTOR OUTLINE 3 PHASE, 160 A, 600 V			
PO#:	SWO#:	1-1	