

3 PHASE TRANSIENT FILTER

TYPE: ANN-SELF COOLED

CATALOGUE NO.: 320C5LF
 VOLTAGE CLASS: 600 VOLTS
 CURRENT: 320 AMPS

INSULATION CLASS: 220° C
 TEMPERATURE RISE: 115° C.
 APP. WEIGHT 90 Lbs.

HI POT: 2.5kV AC @ 1 MINUTE

TERMINATION:

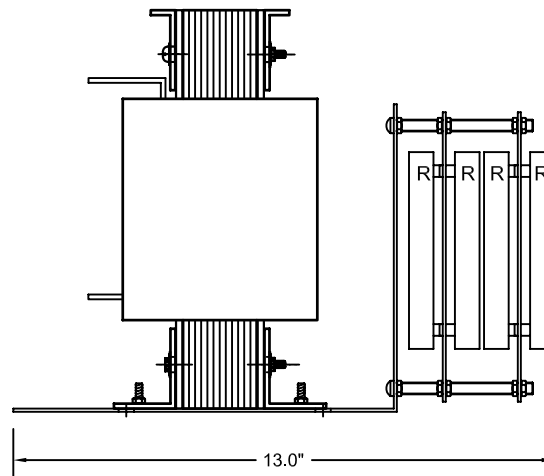
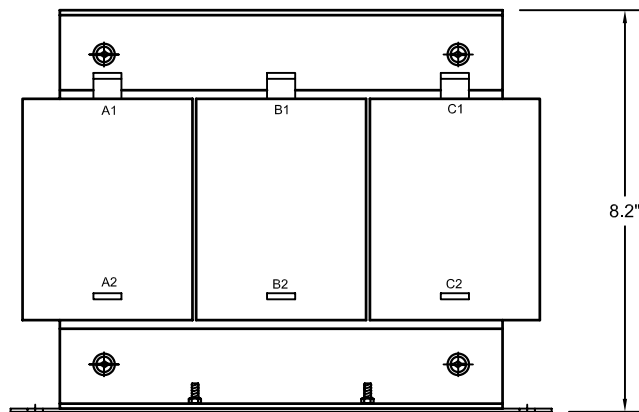
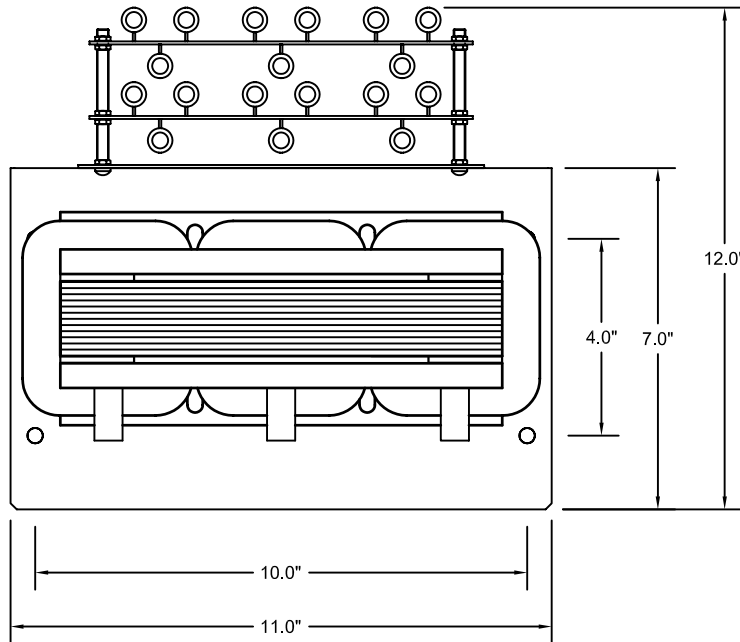
-INPUT PADS NO LUGS
 -OUTPUT PADS NO LUGS

STANDARDS:

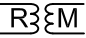
-CSA CERTIFIED
 -UL RECOGNIZED

MARKINGS:

-INPUT: A1-B1-C1
 -OUTPUT: A2-B2-C2



NOTE: DIMENTIONS IN INCHES

REV.	REMARKS	BY:	DATE:
 REX MANUFACTURING DIVISION OF TRANSFACTOR INDUSTRIES INC.			
DRAWN BY: V.O.	DATE: NOV. 10, 2004	REV: 0	
CHECKED BY: V.S.	DATE: NOV. 10, 2004	SCALE: N.T.S	
TITLE: FILTER REACTOR OUTLINE 3 PHASE, 320 A, 600 V			
PO#:	SWO#:	1-1	