

WIRING CONNECTION:

PRIMARY:

VOLTS 6600 CONNECT LINES TO: H1-H2

SECONDARY:

VOLTS 120 INTERCONNECT CONNECT LINES TO: X1-X4
 240 X1-X3, AND X2-X4 X1-X4
 120/240 X2-X3 X1-X4
 X2-X3 X1-X3-X4
 AND X2 IS A NEUTRAL

CONTROL POWER TRANSFORMER

TYPE: ANN-SELF COOLED

REX'S CAT. NO. CPT2000YK

VA: 2000 VA
 PRIMARY: 6600 VOLT
 SECONDARY: 120/240 VOLT
 INSULATION CLASS: 185° C
 TEMPERATURE RISE: 115° C. Maximum
 FREQUENCY: 60 Hz.
 COILS: COPPER (CAST)
 WEIGHT: 132 Lbs

TERMINATION:

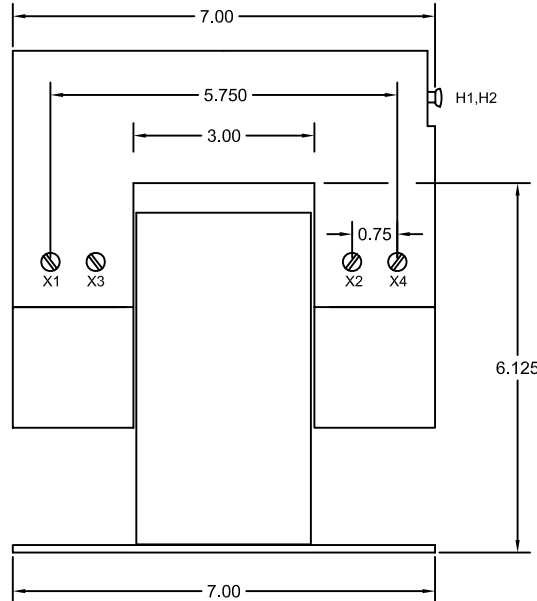
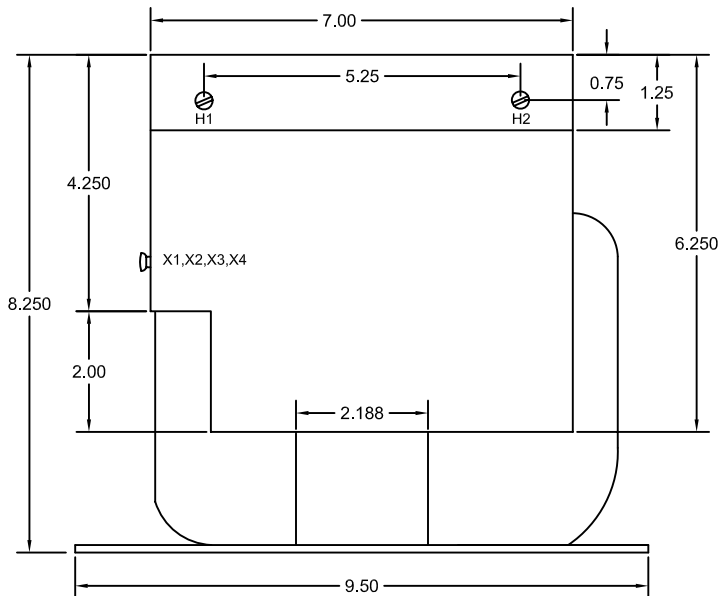
-PRIMARY: SCREW TERMINALS
 -SECONDARY: SCREW TERMINALS

SPECIAL FEATURES:

-PRIMARY BIL 60 KV
 -HIGH POT:
 PRIMARY TO SECONDARY 19000 VAC FOR 1 MIN.

STANDARDS:

-CSA APPROVED
 -UL RECOGNIZED



REX POWER MAGNETICS DIVISION OF TRANSFACTOR INDUSTRIES INC.			
SCALE: N.T.S.	DRAWN BY: SARKIS	DATE: FEBRUARY 1, 2006	
JOB:	CHECKED BY: V.S	DATE: FEBRUARY 1, 2006	
TITLE: 2000 VA REX CONTROL POWER TRANSFORMER			
DRAWING No.: CPT2000YK			

REV.	REMARKS	BY	DATE